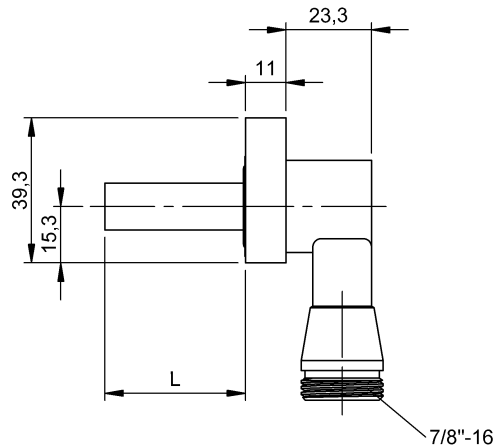
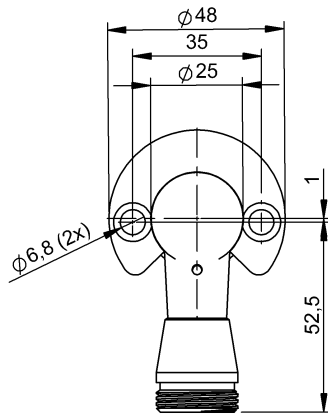


Inductive Sensors
BES 516-200-S8/1.025"-S5
Order Code: BES05ZA

BALLUFF



L = Length



Basic features

Approval/Conformity	CE cULus UKCA WEEE
Scope of delivery	O-ring $\varnothing 17.13 \times 2.62$ Hexagon socket screw UNC 1/4"-20 $\times 3/4"$ - 12.9 (2x)

Display/Operation

Function indicator	LED red
Power indicator	Green LED

Electrical connection

Connection	7/8"-16 UN-Male, 3-pin
Polarity reversal protected	yes
Short-circuit protection	yes

Electrical data

Min. operating current I_m	8 mA
Operating voltage U_b	20...250 VDC/20...250 VAC
Rated insulation voltage U_i	250 V AC
Rated operating current I_e	300 mA
Rated operating voltage U_e AC	110 V
Rated short circuit current	10 A
Ready delay t_v max.	100 ms
Residual current I_r max.	1700 μ A
Switching frequency	20 Hz
Utilization category	AC-140 DC-13
Voltage drop static max.	7 V

Environmental conditions

Ambient temperature	-25...70 °C
Contamination scale	3
IP rating	IP67

Functional safety

MTTF (40 °C)	1020 a
---------------------	--------

Interface

Switching output	normally open (NO)
-------------------------	--------------------

Inductive Sensors
BES 516-200-S8/1.025"-S5
Order Code: BES05ZA



Material

Housing material	Zinc Aluminium
Material sensing surface	Duroplast

Mechanical data

Dimension	Ø 12.7 mm x 1.025 "
Installation	for flush mounting
Pressure rating max.	206 bar
Pressure rating, note	oil pressure rated

Range/Distance

Assured operating distance Sa	1.6 mm
Hysteresis H max. (% of Sr)	15.0 %
Rated operating distance Sn	2 mm
Real switching distance sr	2 mm
Repeat accuracy max. (% of Sr)	5.0 %
Temperature drift max. (% of Sr)	10 %
Tolerance Sr	±10 %

Connector Drawings



Wiring Diagrams

